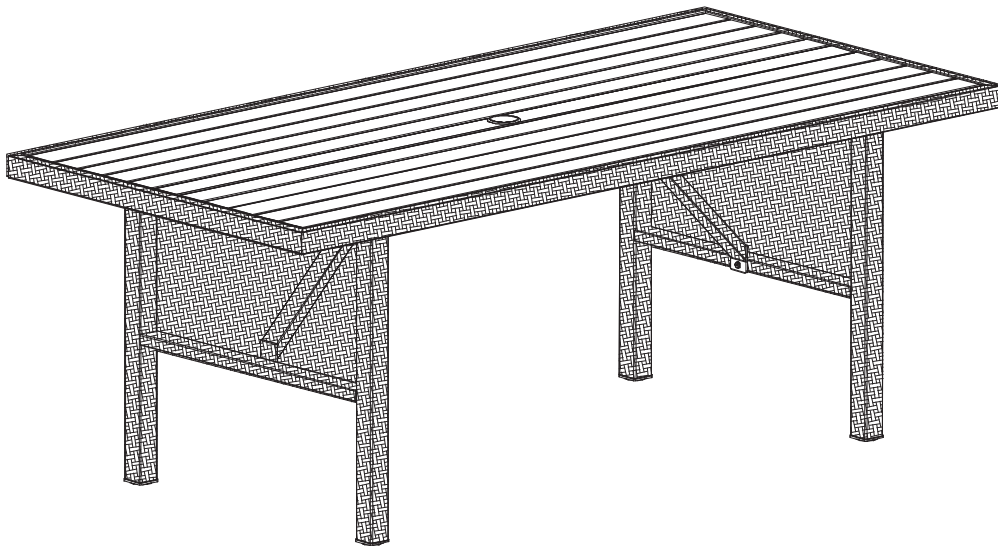


ASSEMBLY INSTRUCTION
MONTAGEANWEISUNG
INSTRUCCIONES DE MONTAJE
MONTAGEVEJLEDNING
MONTERINGSANVISNING

MONTAGE INSTRUCTIE
INSTRUCTIONS DE MONTAGE
ISTRUZIONI DI MONTAGGIO
ΟΔΗΓΙΑ ΣΥΝΑΡΜΟΛΟΓΗΣΗΣ

BERMUDA



VIDEO

You Tube

IMPORTANT, SAVE FOR FUTURE CONSULTATION: READ CAREFULLY

For Domestic Use

WICHTIG, BITTE ZU REFERENZZWECKEN AUFHEBEN: AUFMERKSAM LESEN

Für den häuslichen Gebrauch

IMPORTANTE, GUARDAR PARA FUTURA CONSULTA: LEER DETENIDAMENTE

Para uso doméstico

VIGTIGT, GEM TIL SENERE BRUG: LÆS OMHYGGELIGT

Til husholdningsbrug

VIKTIGT, SPARA FÖR FRAMTIDA BRUK: LÄS NOGA

För hemmabruk

BELANGRIJK, BEWAREN VOOR TOEKOMSTIGE RAADPLEGING: ZORGVULDIG LEZEN

Voor huishoudelijk gebruik

IMPORTANT, CONSERVER CE DOCUMENT POUR TOUTE CONSULTATION ULTÉRIEURE : LIRE ATTENTIVEMENT

À usage domestique

IMPORTANTE: CONSERVARE PER FUTURE CONSULTAZIONI. LEGGERE ATTENTAMENTE

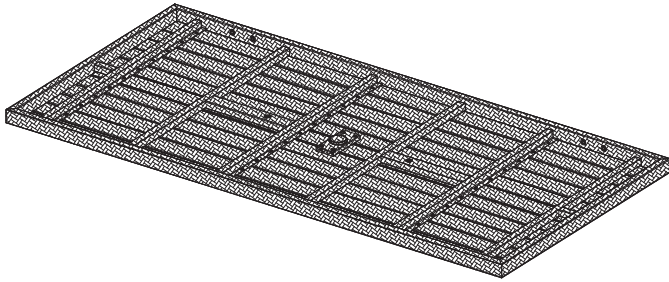
Per uso domestico

ΣΗΜΑΝΤΙΚΟ, ΦΥΛΑΞΤΕ ΓΙΑ ΜΕΛΛΟΝΤΙΚΗ ΑΝΑΦΟΡΑ: ΔΙΑΒΑΣΤΕ ΠΡΟΣΕΚΤΙΚΑ

Για Οικιακή Χρήση

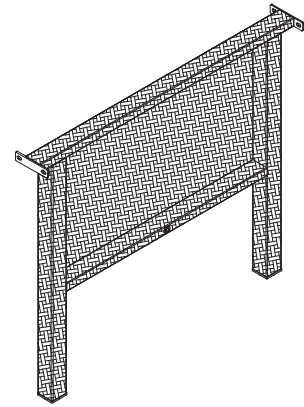
LifestyleGarden®

Sustainable outdoor living



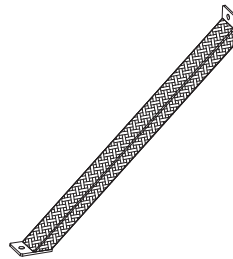
(A)

SU-TB-TF-2418
x1



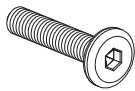


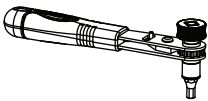
(B)

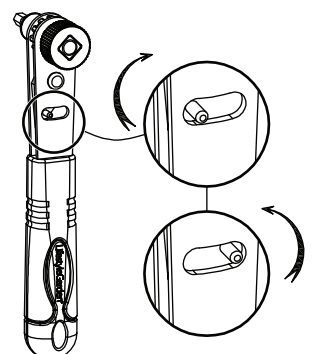
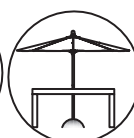
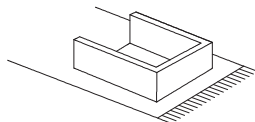
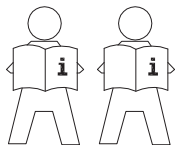
SU-TB-LF-1717
x2



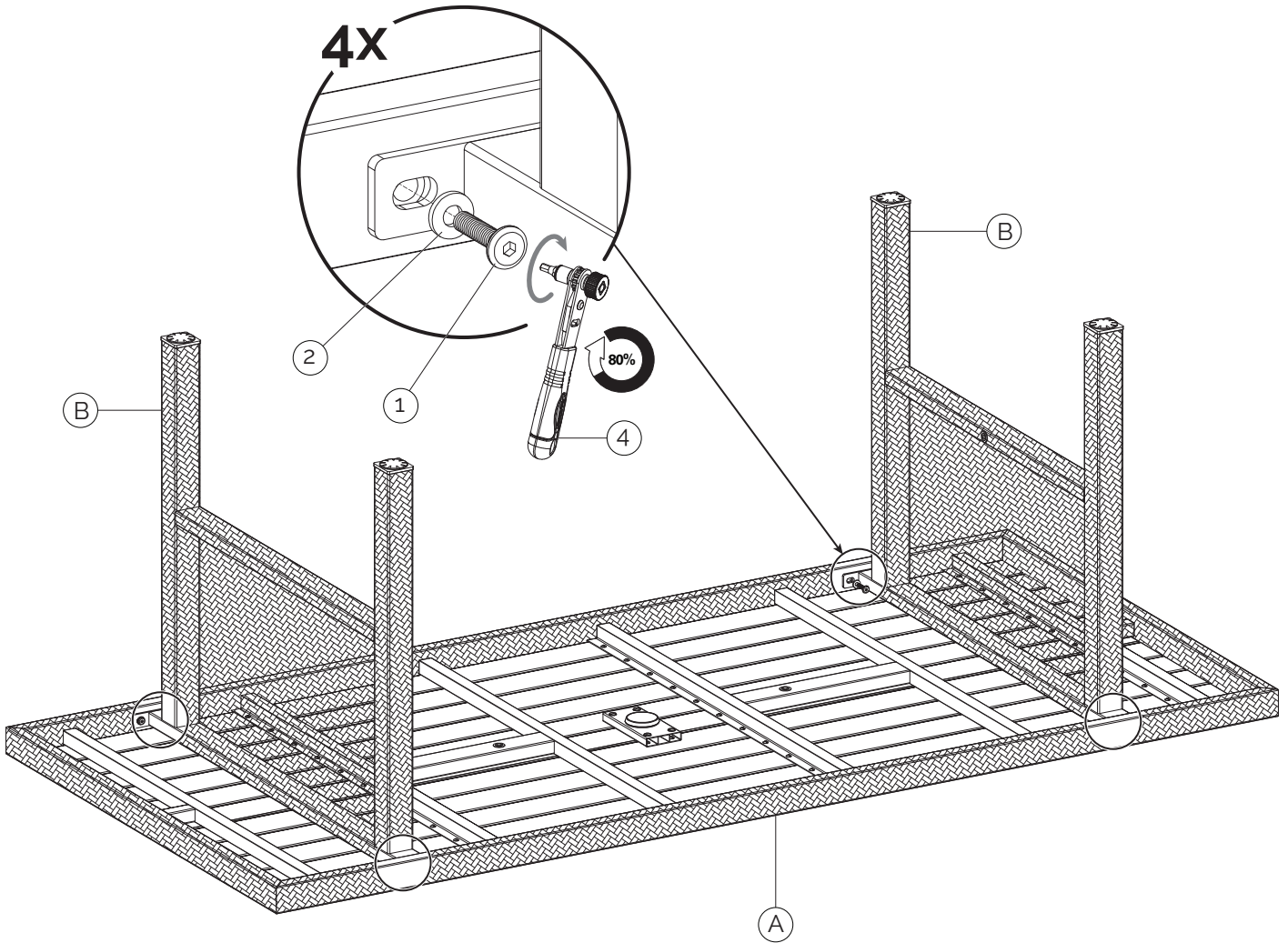
(C)

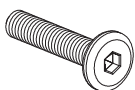

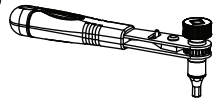
SU-TB-SP-0677
x2

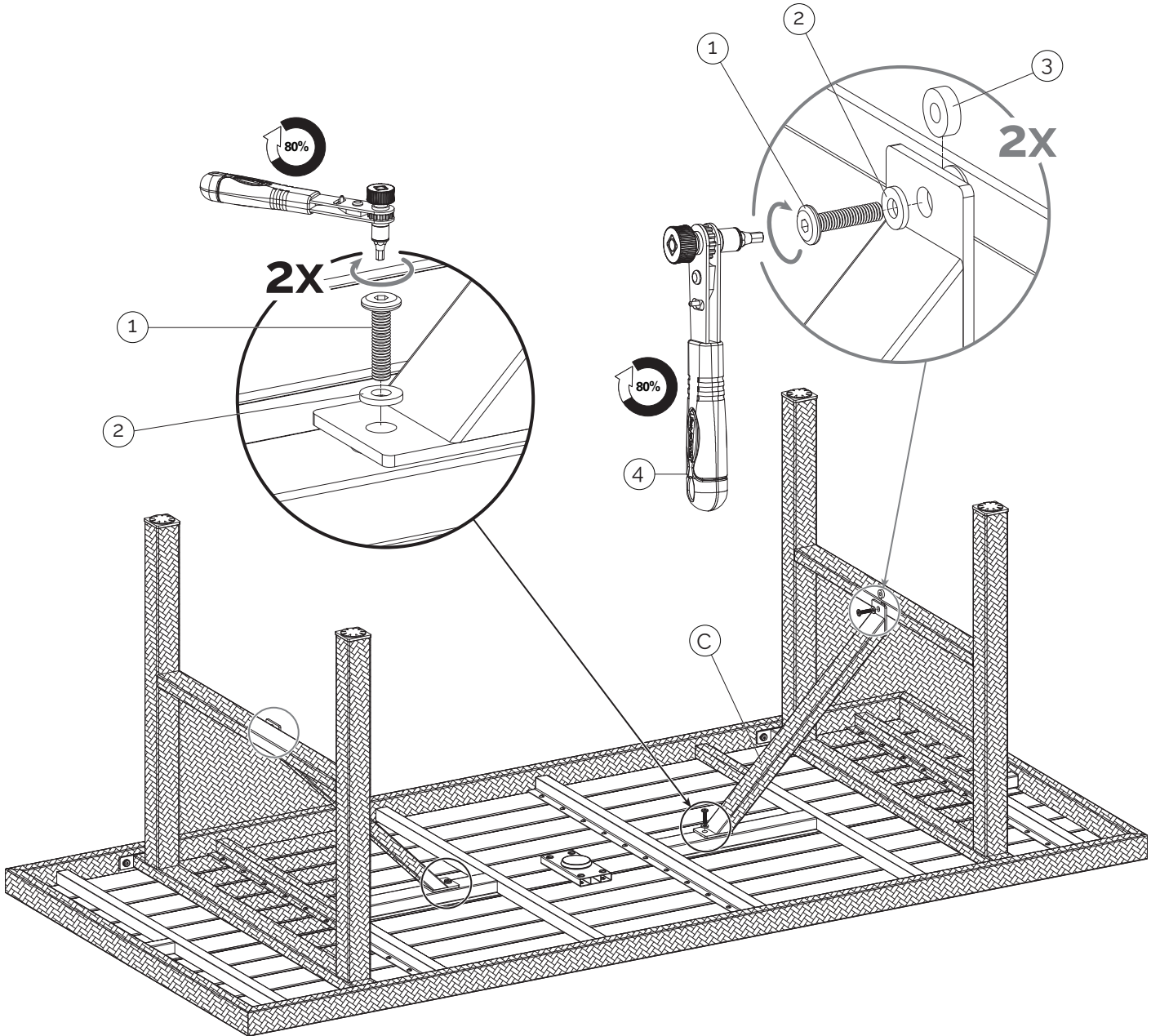
<p>①</p>  <p>HW-ST-02-022 (6x25) x12</p>	<p>②</p>  <p>HW-ST-07-115 (6.5x14x2) x12</p>	<p>③</p>  <p>HW-ST-07-036 (6.5x16x5) x2</p>	<p>④</p>  <p>HW-MM-18-026 (125) x1</p>
-------------------------------------------------------------------------------------------------------------------------------------	-----------------------------------------------------------------------------------------------------------------------------------------	----------------------------------------------------------------------------------------------------------------------------------------	-------------------------------------------------------------------------------------------------------------------------------------

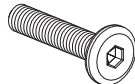


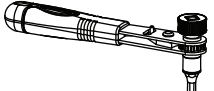


1

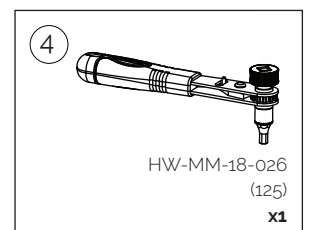
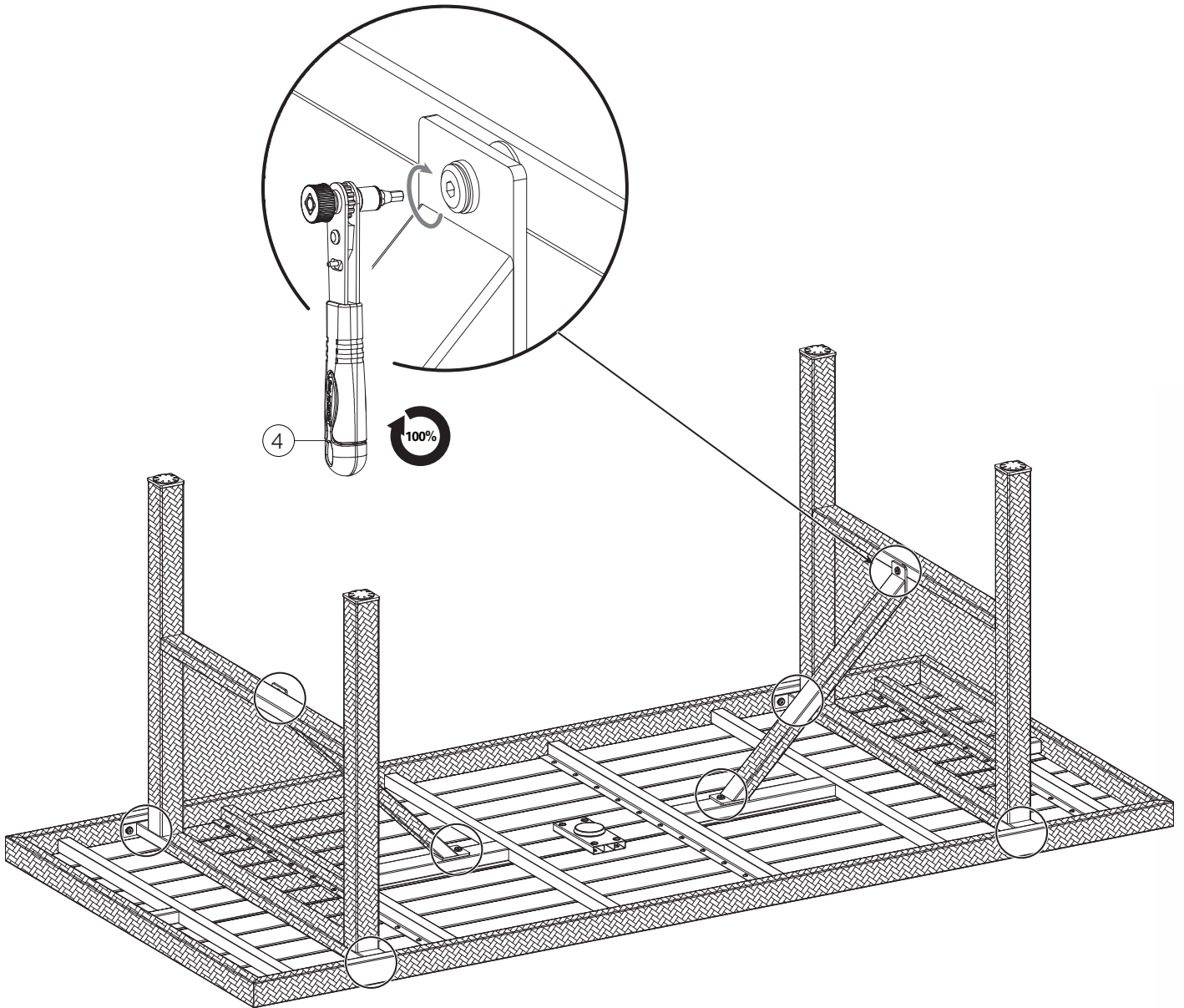


<p>①</p>  <p>HW-ST-02-022 (6x25) x8</p>	<p>②</p>  <p>HW-ST-07-115 (6.5x14x2) x8</p>	<p>④</p>  <p>HW-MM-18-026 (125) x1</p>
------------------------------------------------------------------------------------------------------------------------------------	------------------------------------------------------------------------------------------------------------------------------------------	-------------------------------------------------------------------------------------------------------------------------------------



<p>①</p>  <p>HW-ST-02-022 (6x25) x4</p>	<p>②</p>  <p>HW-ST-07-115 (6.5x14x2) x4</p>	<p>③</p>  <p>HW-ST-07-036 (6.5x16x5) x2</p>	<p>④</p>  <p>HW-MM-18-026 (125) x1</p>
-------------------------------------------------------------------------------------------------------------------------------------------	-----------------------------------------------------------------------------------------------------------------------------------------------	-------------------------------------------------------------------------------------------------------------------------------------------------	--------------------------------------------------------------------------------------------------------------------------------------------

3



LifestyleGarden®

Sustainable outdoor living

<https://www.lifestylegarden.com/warranty/>





Furniture covers



Maintenance

Wood Cleaner



Wood Protector



Wood Sealer



Textile Protector



Textile Cleaner



LifestyleGarden®
www.lifestylegarden.com